

# RAMIONA WYCIERACZEK I ADAPTERY CLEANTECH 2.0



EASY TO FIT



AERODYNAMIC PERFORMANCE



EXTENDED COVERAGE



NANO-TECHNOLOGY



**PINCH TAB**




3A

**PINCH TAB**




3A

**BAYONET**




3A

**TOP LOCK**



3A

**HOOK**  
9 mm x 4 mm




3A

**HOOK**  
9 mm x 3 mm




3A

**SIDE LOCK**  
19 mm



3B

**SIDE LOCK**  
22 mm



3B

**AUDI & OLD**  
Older Audi & Mercedes Type




3C+3C-B

**RENAULT**  
Scenic Type



3C

**MULTI HOOK**



3F

**INSERT LOCK**



3F

**PUSH BUTTON**  
19 mm



3H-8

**PUSH BUTTON**  
22 mm



3H-8

**PUSH BUTTON**  
FZ



3T

**LIFT & SLIDE**  
Mercedes Type



3U

**EASY CHANGE**



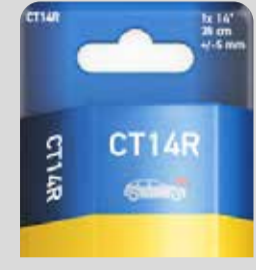
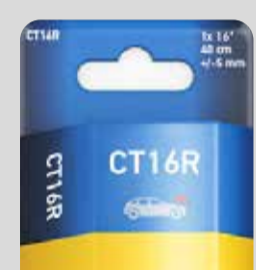


**MULTI-CLIP SYSTEM**

NANO-COATED RUBBER







<b>CT14R</b>		9XW 358 061-141	14"	350 mm	3A, 3F, 3H-8, 3T
<b>CT15R</b>		9XW 358 061-151	15"	375 mm	3A, 3H-8
<b>CT16R</b>		9XW 358 061-161	16"	400 mm	3A, 3B, 3F, 3H-8, 3T
<b>CT17R</b>		9XW 358 061-171	17"	425 mm	3A, 3B, 3F, 3H-8,
<b>CT18R</b>		9XW 358 061-181	18"	450 mm	3A, 3B, 3F, 3H-8, 3T, 3U, 3H-9
<b>CT19R</b>		9XW 358 061-191	19"	475 mm	3A, 3B, 3F, 3H-8, 3U
<b>CT20R</b>		9XW 358 061-201	20"	500 mm	3A, 3B, 3F, 3H-8, 3T
<b>CT21R</b>		9XW 358 061-211	21"	525 mm	3A, 3B, 3F, 3H-8, 3H-9

<b>CT22R</b>		9XW 358 061-221	22"	550 mm	3A, 3B, 3C, 3F, 3H-8, 3U, 3T
<b>CT23R</b>		9XW 358 061-231	23"	575 mm	3A, 3B, 3F, 3H-8
<b>CT24R</b>		9XW 358 061-241	24"	600 mm	3A, 3B, 3C, 3F, 3H-8, 3T, 3U
<b>CT26R</b>		9XW 358 061-261	26"	650 mm	3A, 3B, 3F, 3H-8, 3T, 3U
<b>CT28R</b>		9XW 358 061-281	28"	700 mm	3A, 3B, 3H-8, 3T, 3U
<b>CT30R</b>		9XW 358 061-301	30"	750 mm	3A, 3B, 3F, 3H-8, 3T
<b>CT32R</b>		9XW 358 061-321	32"	800 mm	3B, 3F, 3H-8